

TECHNICAL SPECIFICATION

Facade lighting - OL9610-W1 / OL9610-W2



Technical data

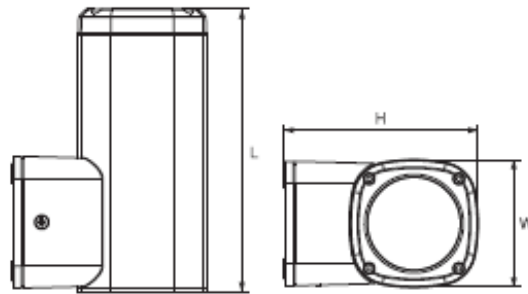
- Nominal voltage: 230V / 50-60Hz
- Power of the light source: max 35W
- Lampholder designation: GU10
- Type of light source (not included commercial kit):
 - Halogen lamps with socket GU10, max. 35W
 - LED lamps with socket GU10
 - Compact fluorescent lamps with socket GU10
- Body material: Aluminium
- Diffuser: Tempered glass
- Body colour: Dark grey
- Type of Installation: Surface mounting on a wall
- Dust and humidity protection level: IP54
- Protection against electric shock: I
- Surface requirements: Class F

Areas of application

- Suitable for outdoor use
- Additional, aesthetic, directional, architectural lighting for buildings' facades, fences' columns and other outdoor sites

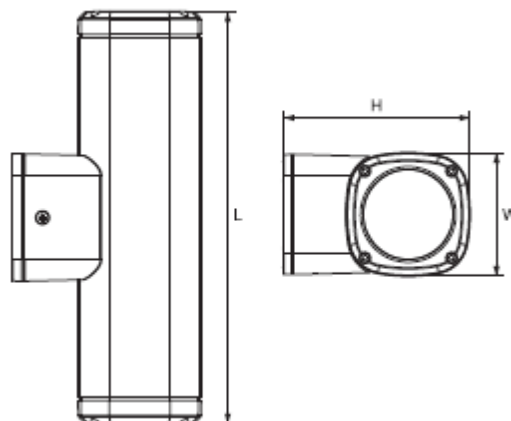
Variants and dimensions

- OL9610-W1



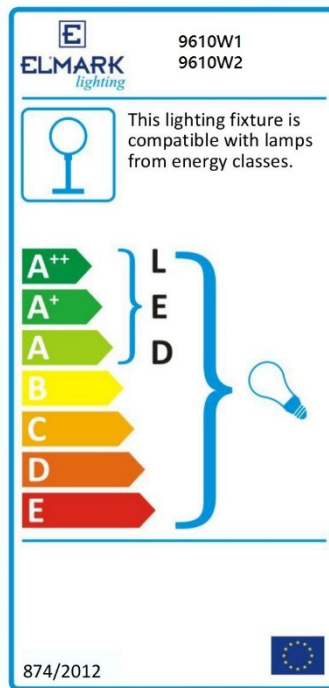
Model	Watt	Colour body	Size (mm)			Catalogue number	Packing (pcs)
			Length	Width	Height		
OL9610-W1	max 35W	dark grey	157	70	106	9610W1	16

- OL9610-W2



Model	Watt	Colour body	Size (mm)			Catalogue number	Packing (pcs)
			Length	Width	Height		
OL9610-W2	max 35W	dark grey	238	70	106	9610W2	16

Energy efficiency



Barcodes

Barcode	Catalogue number
3800131186386	9610W1
3800131186393	9610W2

Standards

EN 60598-1

